

PRE-WIRE AND INSTALLATION INSTRUCTIONS

The H585 Color CCTV Camera/Door Station provides a significant upgrade in performance at a greatly reduced price as compared a separate door speaker and camera station configuration.

The H585 features a new color camera enclosed in a die-cast aluminum housing. The camera can be rotated 90 degrees allowing the door station to be mounted horizontally or vertically. A flexible mounting bracket allows the dealer to optimally adjust the viewing angle.

The camera's high-resolution, low lux 1/3" CCD element provides clear images even in low light conditions. Built-in automatic iris control ensures an optimal picture on bright, sunny days without "blooming" or "washouts". The camera's fixed focal-length lens has a horizontal viewing angle of 120 degrees with no "fish eye" distortion.

The H585 also features an extremely sensitive microphone and new slim profile door speaker for full-duplex communication from any touchtone phone in the house.

H585 SPECIFICATIONS:

Imaging Element.....	CCD
Auto Iris.....	1/50 - 1/10000 sec.
Lux.....	0.5 minimum
Resolution.....	380 TV lines
Horizontal Viewing angle.....	120 degrees
Vertical Viewing angle.....	100 degrees
Video Output.....	1V peak-to-peak
Video Output Impedance.....	75 Ohms
Power Requirements.....	12VDC @ 90mA
Speaker.....	8 Ohm, closed back polyester cone
Microphone.....	High-gain omni-directional condenser
Door Latch Relay.....	12VDC coil, 2A contact rating
Interface.....	Removable connectors
Wiring Requirements (<75').....	Bundled VIA! cable containing a RG59, CAT5 & 18/2.
Wiring Requirements (>75').....	Shielded 4 twisted pair w/ drain, RG59 or RG6, and 18/2 (for Power)

Warranty

Linear LLC warrants this product to be free from defects in material and workmanship for two years (2 years). The time period will be measured using the date code labeled on the product. Linear LLC is not responsible for damage to the product resulting from the buyer's improper handling, stocking or warehousing of the product. Any implied warranty arising from the sale of the product including implied warranties of merchantability and fitness for purpose are limited. Linear LLC shall not be responsible for any losses, damages or expenses, whether direct, consequential, or incidental arising from the use or the inability to use the product. Some states and countries do not allow limitations on how long an implied warranty lasts or the exclusion or limitation or incidental or consequential damages, so the above exclusions may not apply. The Linear LLC warranty gives specific legal rights in addition to other rights, which may exist and vary from state to state and country to country.

The warranty is limited to repair or replacement of products returned, freight prepaid, to Linear LLC, there is NO PROVISION FOR LABOR COST OR OTHER REIMBURSEMENTS OF ANY KIND.

1. Failures due to product abuse, such as negligence, improper use, and electrical surge including damage from lightening, water damage or other damage due to natural disasters are not covered by the warranty. The most common form of product abuse is surge damage caused by lightening.
2. The warranty shall also be voided by any tampering with the date code, labels or other markings on the product.
3. Products that are damaged in transit to Linear LLC due to improper packaging or by the carrier (shipping company) will not be covered under the warranty. If the product was damaged or lost by the carrier, it is the sender's responsibility to create a claim against the carrier.
4. The user is responsible for all labor costs associated with removing, reinstalling and returning the product to Linear LLC.

Linear LLC, at its option, will repair or replace the defective product. Replacements will be made from B-Stock, if an exact replacement is not available, Linear LLC, at it's option, will select the nearest equivalent product. The user is responsible for freight charges to Linear LLC. Linear LLC will return warranted repaired or replacements by UPS Ground or an equivalent service. A customer may pay the additional costs for second-day or next-day service.

All products returned for warranty service require a Return Product Authorization Number (RPA#). Contact Linear Technical Services at 1-800-999-5225 for an RPA# and other important details.

PREWIRING AND INSTALLING THE H585I/H585B/H585C

The H585 features a new design which separates the doorbell button from the door station assembly. This enables the doorbell to be installed in a conventional doorbell location, and the door station mounted higher up for optimum viewing.

Additionally, we have provided a matching Brass (H585B), Chrome (H585C), or Ivory (H585I) doorbell button with each unit.

NOTE: BE SURE TO PULL THE DOORBELL WIRE THROUGH THE BACK OF THE H588 DOORSTATION ROUGH-IN BOX.

See Figure 1.

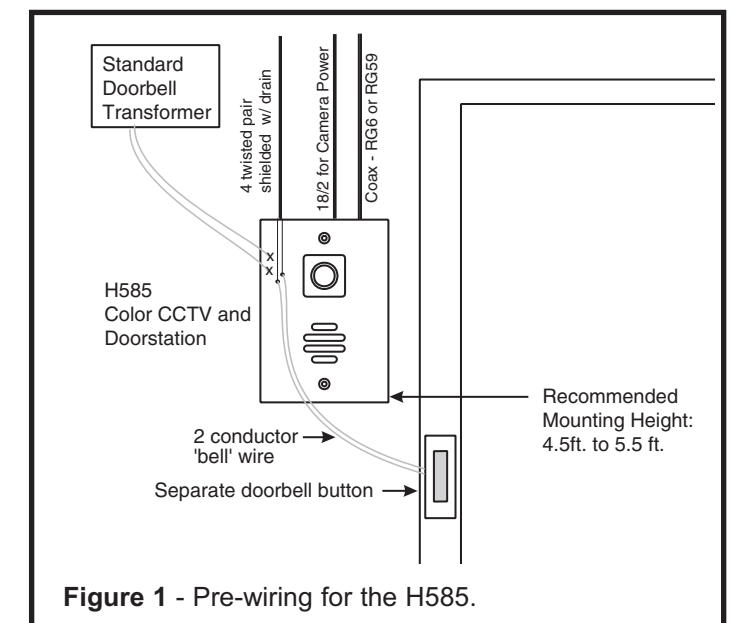
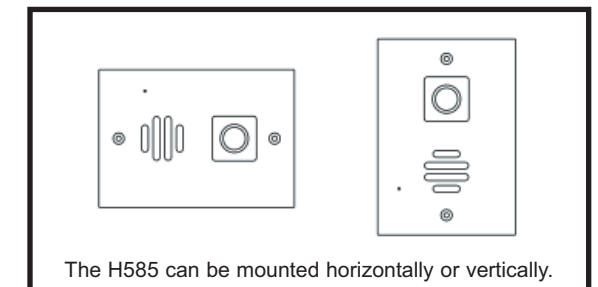


Figure 1 - Pre-wiring for the H585.

HORIZONTALLY OR VERTICALLY MOUNTING THE H585

In order to install the H585 in the H588, the H585's Trim Brackets must first be mounted to the front of the H588 as shown.

See Figure 2.

The H585 ships ready for horizontal installation. Should you choose to mount the H585 vertically, the H588 must also be mounted vertically and the camera module must be rotated 90 degrees.

NOTE: Regardless of the H585's orientation, always make sure the wire protruding from the rear of the camera module is located in the UPPER-RIGHT corner when viewed from the rear! See Figure 3

Once the camera module has been repositioned, be sure to tighten the bracket screw, securing the camera in the desired position.

ADJUSTING THE VIEWING ANGLE

The camera's viewing angle may also be adjusted +/- 15 degrees by carefully twisting the Camera Bracket.

POWERING THE H585 FROM A REMOTE LOCATION

Most installations will require the H585 be powered from a remote location (i.e. the main equipment location).

To accomplish this, remove the power connector from the power supply (included) and the H585 as shown to the J-Box wires - be sure to maintain proper polarity on these and the remotely located power supply connections. **NOTE: DO NOT** remove the H585 yellow (video) RCA jack connector!

An "F-to-RCA" barrel connector is included to facilitate the connection of RG-6 or RG-59 coax cable to the H585's RCA composite video connector.

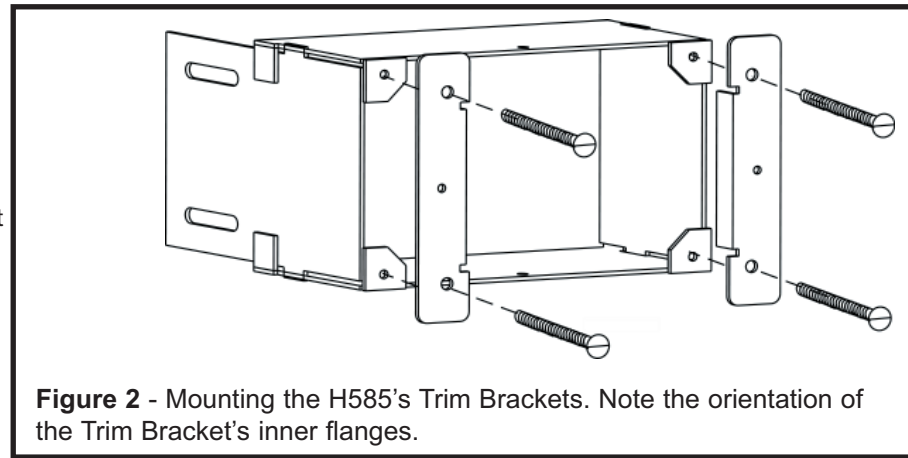
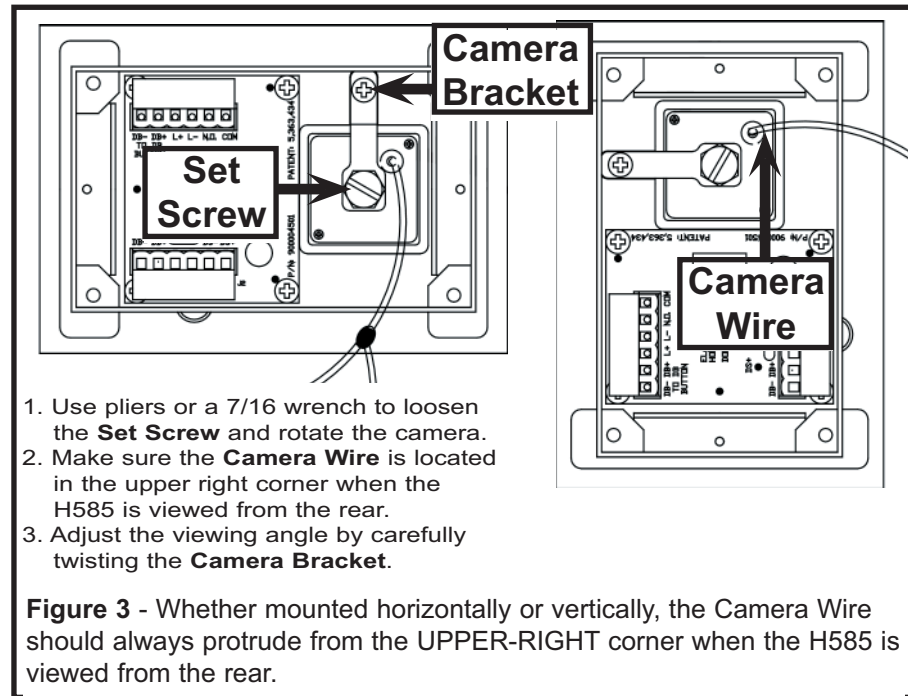


Figure 2 - Mounting the H585's Trim Brackets. Note the orientation of the Trim Bracket's inner flanges.



1. Use pliers or a 7/16 wrench to loosen the **Set Screw** and rotate the camera.
2. Make sure the **Camera Wire** is located in the upper right corner when the H585 is viewed from the rear.
3. Adjust the viewing angle by carefully twisting the **Camera Bracket**.

Figure 3 - Whether mounted horizontally or vertically, the Camera Wire should always protrude from the UPPER-RIGHT corner when the H585 is viewed from the rear.

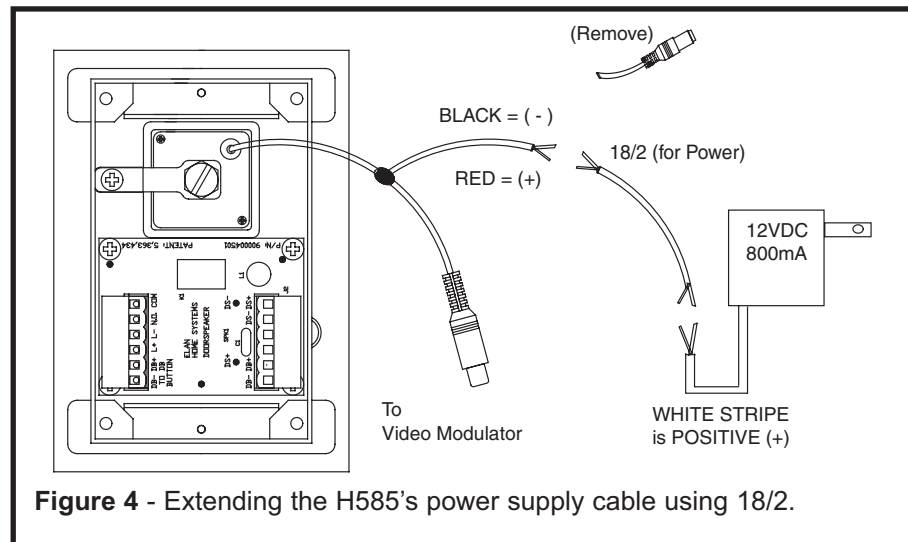


Figure 4 - Extending the H585's power supply cable using 18/2.

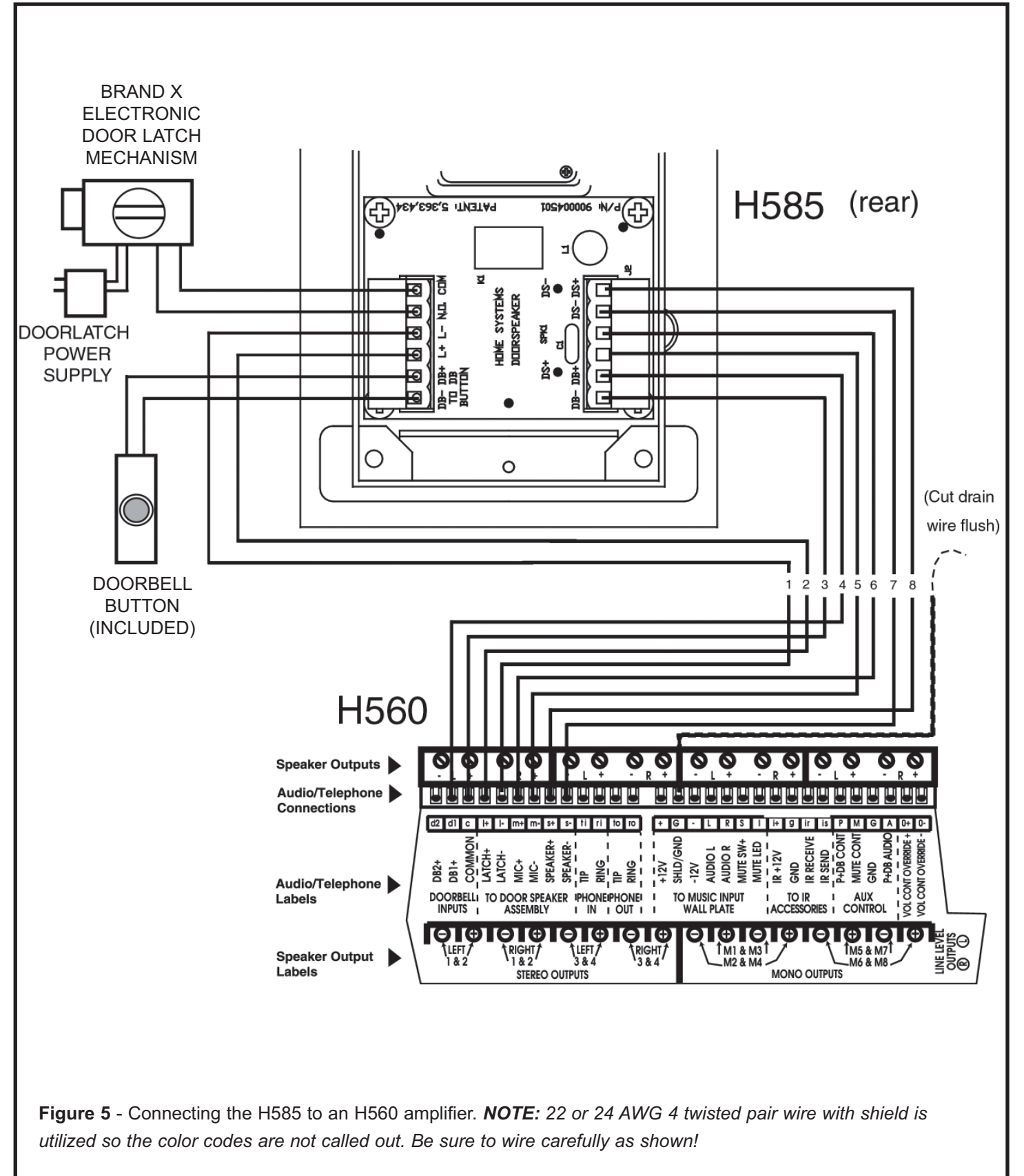


Figure 5 - Connecting the H585 to an H560 amplifier. **NOTE:** 22 or 24 AWG 4 twisted pair wire with shield is utilized so the color codes are not called out. Be sure to wire carefully as shown!