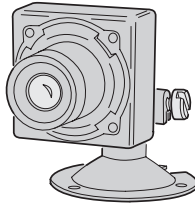




7440

Color CCTV Camera

Installation Instructions



Linear LLC

2055 Corte Del Nogal, Carlsbad, CA 92009, USA
760-438-7000 800-999-5225 fax: 760-931-1340
www.channelplus.com

PRODUCT DESCRIPTION

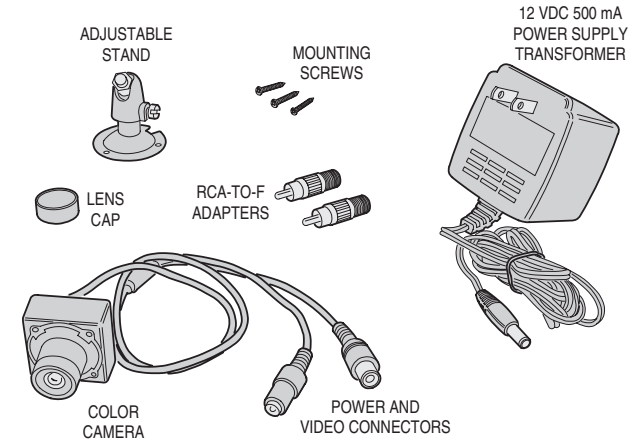
The Model 7440 Color CCTV Camera provides significant performance in a small package. The camera's high-resolution, low lux 1/3" CCD element provides clear images even in low light conditions. The built-in automatic iris control ensures an optimal picture on bright, sunny days without "blooming" or "washouts". The fixed focal-length lens has a horizontal viewing angle of 120° with no "fish eye" distortion.

The camera is housed in a miniature, weather-tight, die-cast aluminum enclosure that is built to withstand the harshest weather conditions. The adjustable mounting bracket allows the camera to be rotated 360° and pivot 90° to enable viewing in virtually any position. A locking screw on the mounting bracket secures the camera after the viewing angle is adjusted. The mounting bracket attaches to the mounting surface with the three screws provided.

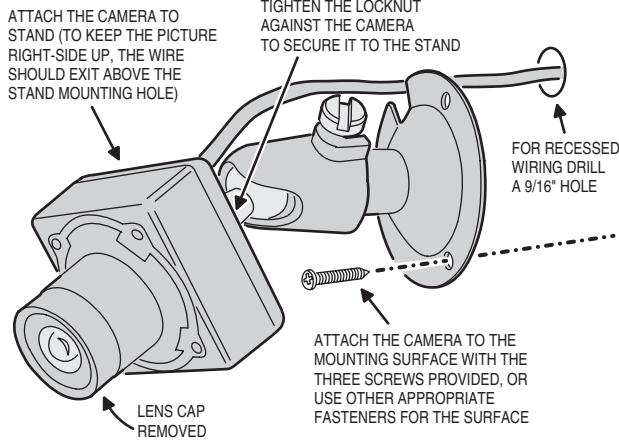
FEATURES

- Extremely small size make the camera easy to conceal
- Auto white balance enables true color reproduction in varying light conditions
- Ideal for a wide variety of applications including residences, nurseries, storefronts, swimming pool areas, boat docks, cabanas, etc.
- Outstanding video signal-to-noise ratio of 48 dB for a noise-free picture
- Low power requirements ensure low heat and long life

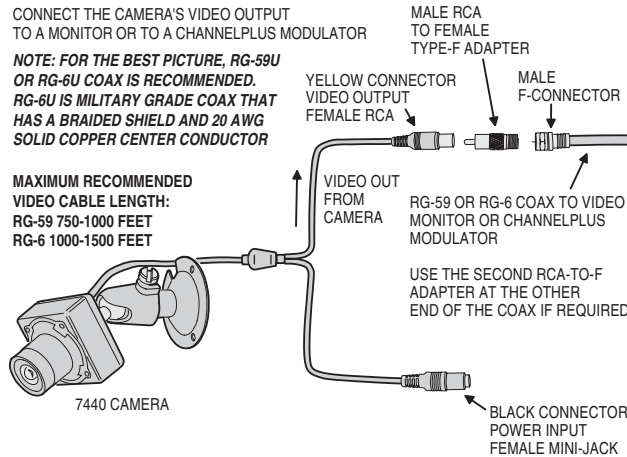
CAMERA COMPONENTS



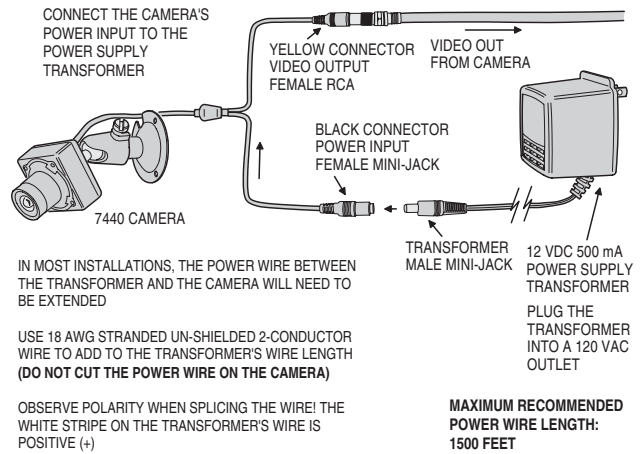
CAMERA MOUNTING



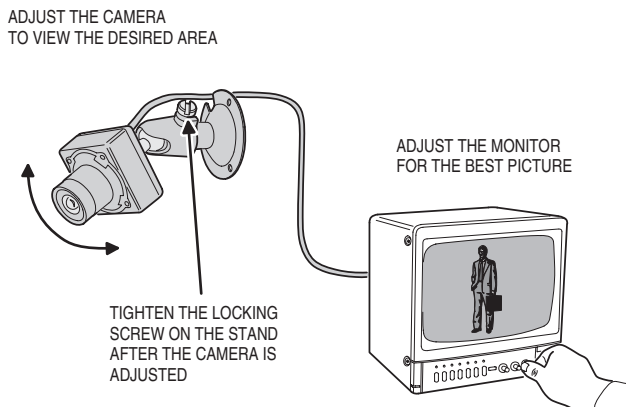
VIDEO CONNECTION



POWER CONNECTION



ALIGNMENT & TESTING



SPECIFICATIONS

- IMAGING ELEMENT: CCD
- LENS: 2.1 mm, f2.0
- LUX: 0.5 minimum
- RESOLUTION: 380 TV Lines
- HORIZONTAL VIEWING ANGLE: 120°
- VERTICAL VIEWING ANGLE: 100°
- VIDEO OUTPUT: 1 volt peak-to-peak
- VIDEO OUTPUT IMPEDANCE: 75Ω
- POWER REQUIREMENTS: 12 VDC @ 90 mA (power supply included)
- WIRING REQUIREMENTS: VIDEO: RG-59 or RG-6 (RG-6U recommended) POWER: 18 AWG 2-conductor

LIMITED WARRANTY

Linear LLC warrants this product to be free from defects in material and workmanship for 1 year. The time period will be measured using the date code labeled on the product. Linear LLC is not responsible for damage to the product resulting from the buyer's improper handling, stocking or warehousing of the product. Any implied warranty arising from the sale of the product including implied warranties of merchantability and fitness for purpose are limited. Linear LLC shall not be responsible for any losses, damages or expenses, whether direct, consequential, or incidental arising from the use or the inability to use the product. Some states and countries do not allow limitations or how long an implied warranty lasts or the exclusion or limitation or incidental or consequential damages, so the above exclusions may not apply. The Linear LLC warranty gives specific legal rights in addition to other rights, which may exist and vary from state to state and country to country. The warranty is limited to repair or replacement of products returned, freight prepaid, to Linear LLC, there is NO PROVISION FOR LABOR COST OR OTHER REIMBURSEMENTS OF ANY KIND.

1. Failures due to product abuse, such as negligence, improper use, and electrical surge including damage from lightning, water damage or other damage due to natural disasters are not covered by the warranty. The most common form of product abuse is surge damage caused by lightning.
2. The warranty shall also be voided by any tampering with the date code, labels or other markings on the product.
3. Products that are damaged in transit to Linear LLC due to improper packaging or by the carrier (shipping company) will not be covered under the warranty. If the product was damaged or lost by the carrier, it is the sender's responsibility to create a claim against the carrier.
4. The user is responsible for all labor costs associated with removing, reinstalling and returning the product to Linear LLC.

Linear LLC, at its option, will repair or replace the defective product. Replacements will be made from B-Stock, if an exact replacement is not available, Linear LLC, at its option, will select the nearest equivalent product. The user is responsible for freight charges to Linear LLC. Linear LLC will return warranted repaired or replacements by UPS Ground or an equivalent service. A customer may pay the additional costs for second-day or next-day service. All products returned for warranty service require a Return Product Authorization Number (RPA#). Contact Linear Technical Services at 1-800-999-5225 for an RPA# and other important details.